



PART # 52-5461-00
Boston Whaler
17' Montauk Suntop w/Boot

INSTALLATION HARDWARE:

Qty.	Description	Part #
2	Chrome Side Mount Hinge w/screws	25-0369-00
4	10/32" Well Nuts	16-1607-00
4	3/4" x 10/32" FHM Screws (to mount hinge w/well nuts)	25-0298-00
5	Eyestraps	25-2202-00
2	1/8" S.S. Pop Rivets	25-0453-00
8	1" x #10 Oval Head Screws for eyestraps	25-0302-00
4	#10 x 1 1/4" OHSM Screws (to mount hinge w/o well nuts)	25-1968-00
1	Installation Drawing	15-0926-01

SPECIAL INSTRUCTIONS:

None

INSTALLATION INSTRUCTIONS - SUN TOP 52-5461-00
 for Montauk-17, Striper-17 and 16' HAUSET, Eastport
 and Schooner model BOSTON WHALER boats

Rev. 2

15-0926-01

Boston Whaler, Inc.

Boston, Mass. 02270

1/11/82 03

Notes:
 Use bow locker configuration
 to identify hull size

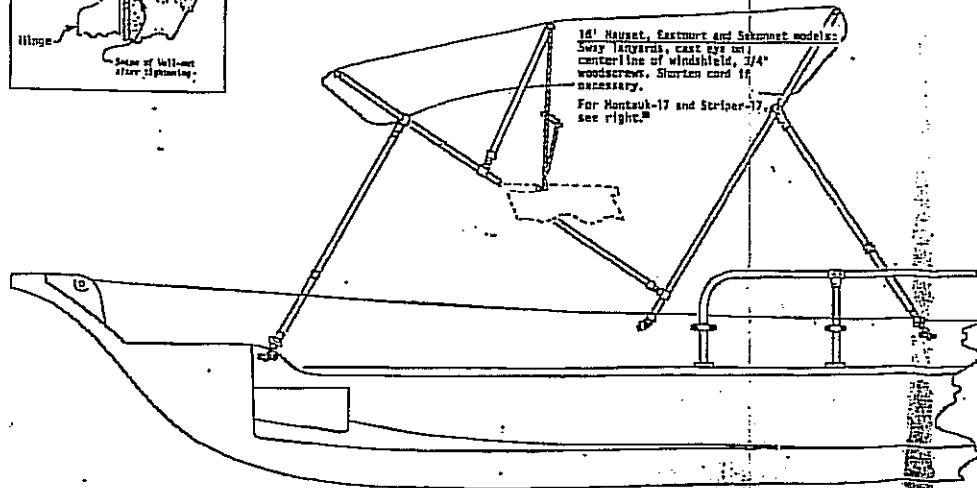
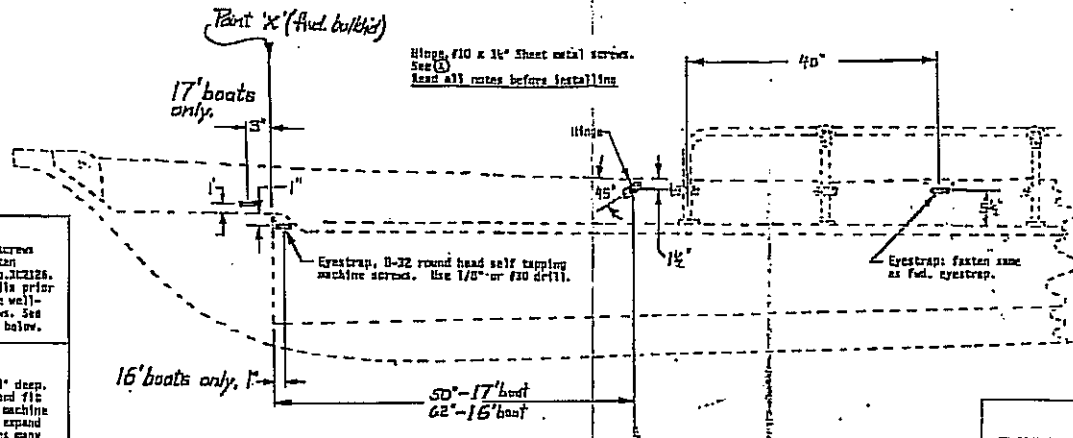
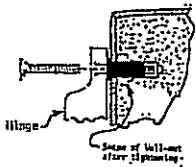
16' hull — 

17' hull — 

NOTE: Sheet metal screws
 must be used to fasten
 hinges after hull no. 312125.
 Installations on hulls prior
 to this no. must use well-
 nuts & machine screws. See
 sketch on well-nuts below.

Well-nut detail:

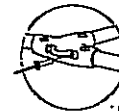
Drill 3/8" hole 1" deep.
 Insert well-nut and fit
 base over-into machine
 screw-tighten to expand
 well-nut (requires many
 turns).



Parts List

- 52-5461-00 Sun Top
 Includes:
- (1) Top 62-5461-01
 - (2) Boat 52-3690-03
 - (4) Flat eye straps
 - (2) Hinges
 - (8) 1/2" D-32 self tapping round head machine screws
 - (4) 1" #10 D.H. machine screws 52-0176-03
 - (2) Well nuts 62-0727-03
 - (1) Rounded eye strap
 - (4) #10 x 1 1/2" D.H. Sheet metal screws
 - (1) Installation Diagram 15-0926-01

Sway Lanyards, Montauk-17 and Striper-17
 Secure to "tee" on console (AV) as shown below.



Drill 5/32" hole.
 Install rivet and
 drive pin flush.